

Drum Cradles

Specifications

Maximum Capacity

600 Lbs. including drum

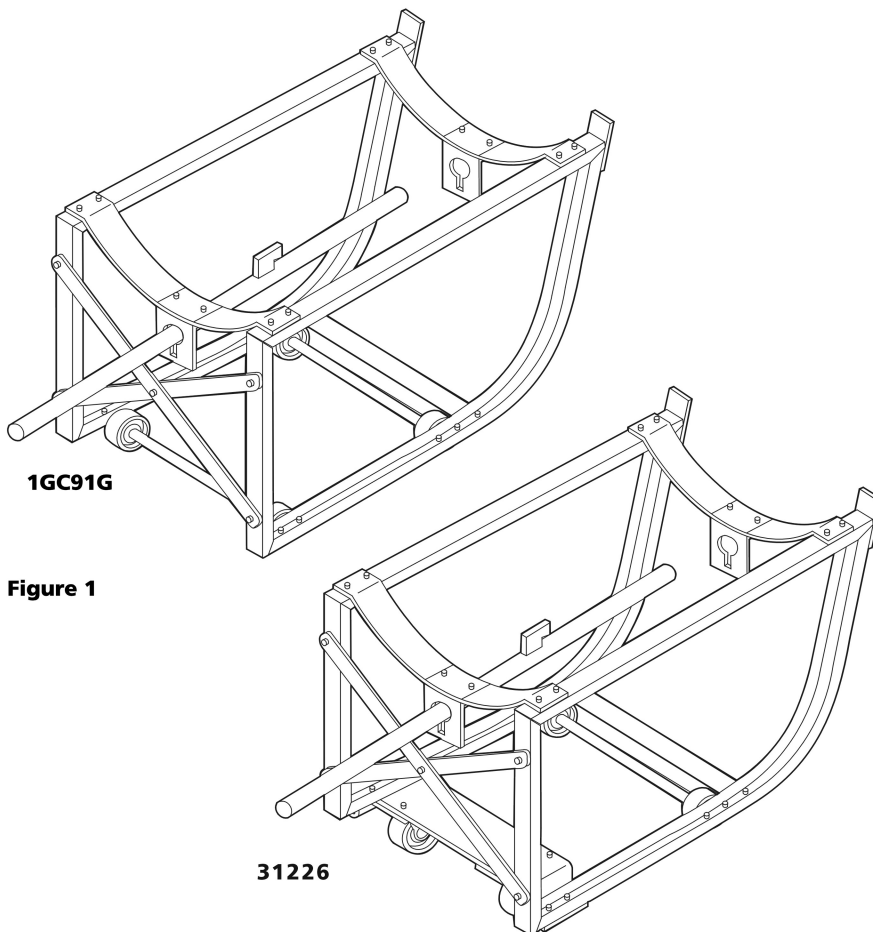


Figure 1

Figure 2

General Safety Information

⚠ WARNING *Drum cradle is designed for specific uses. For safe and proper use please follow instructions carefully.*

1. Drum cradles handle 55 gallon steel drums. See "Operation" section for proper operation of cradles.
2. Make sure spigot is in proper position before tilting. Do not roll drum once the cradle and drum are horizontal.
3. Only tilt drums that are standing upright on floor. **Do NOT tilt drums from pallets or dollies.**
4. Wheels on cradle help facilitate the movement of cradle into storage location. When moving a loaded unit, move it **slowly**. Do **NOT** move cradle long distances.
5. **Do NOT roll loaded units down inclines.**

Assembly

NOTE: During assembly allow parts to fit loosely.

1GC91G AND 31226
(See Figure 3, page 4)

1. Bolt handle brackets (Ref. No. 7) to drum slings (Ref. No. 2).
2. Bolt both drum slings (Ref. No. 2) to top of side frames (Ref. No. 3).

Drum Cradles

Assembly (Continued)

3. Bolt the two cross braces together (Ref. No. 5, with slot holes on ends). Then bolt to the front of each side frame as shown in Figure 4, page 4.
4. Bolt bottom cross bar (Ref. No. 4, shortest of the three) to the bottom of the side frames as shown.

1GC91G ONLY

(See Figure 4, page 4)

1. Place wheels (Ref. No. 8) on axles (Ref. No. 1). Turn cradle upside down, put axle clamps (Ref. No. 13) over axles, and bolt to side frames with hardware included (Ref. No. 11).
2. Turn the cradle over so that the wheels are on the floor. Position the unit so that the frame is as square as possible and tighten all fastening hardware. The drum hook handle (Ref. No. 10) is stored in handle brackets under Drum slings (See Figure 6, page 4).

31226 ONLY

(See Figure 5, page 4)

1. Place wheels (Ref. No. 8) on axles (Ref. No. 1). Turn cradle upside down, put axle clamps (Ref. No. 13) over axles, and bolt to side frames with hardware included (Ref. No. 12).
2. Mount casters (Ref. No. 9) to caster bracket (Ref. No. 6) with 5/16" nuts and bolts included. Then bolt assembly to frame as shown.
3. Turn the cradle over so that the wheels are on the floor. Position the unit so that the frame is as square as possible and tighten all fastening hardware. The drum hook handle (Ref. No. 10) is stored in handle brackets under cross bars (See Figure 6, page 4).

Operation

1. Approach drum which is standing upright on floor. **Do NOT tilt drum from pallets or dollies onto cradle.**
2. Position cradle vertically next to drum.
3. Place barrel toes at base of drum, and push slightly under drum.

4. Continue to push cradle against drum until sling assembly touches drum. Then place chime hook over drum. To insure proper drainage make sure drain on drum is centered between cradle sides and is facing cradle.
5. Grab extended handles with both hands. Place one foot on lower axle for leverage. Then pull straight back making sure chime hook has a secure hold on drum. Continue pulling until unit and drum are in the horizontal position.
6. After unit is placed in the desired location, slide handle in for storage
7. Loaded cradles can be moved, though long distances are not recommended. Only roll loaded cradles on level surfaces. **Do NOT roll down an incline.**

Maintenance

1. Check bolts and nuts often for tightness.
2. Check handle occasionally for any signs of damage or cracking.
3. If damaged, remove from service immediately and repair.

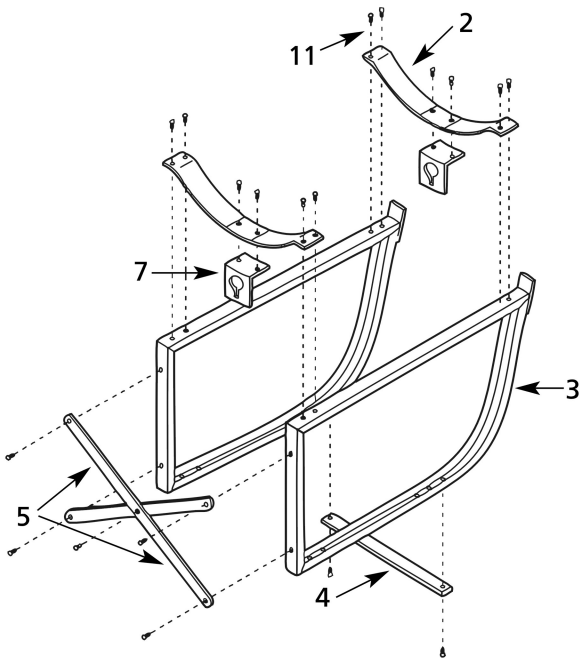


Figure 3 – Frame Assembly for 1GC91G and 31226

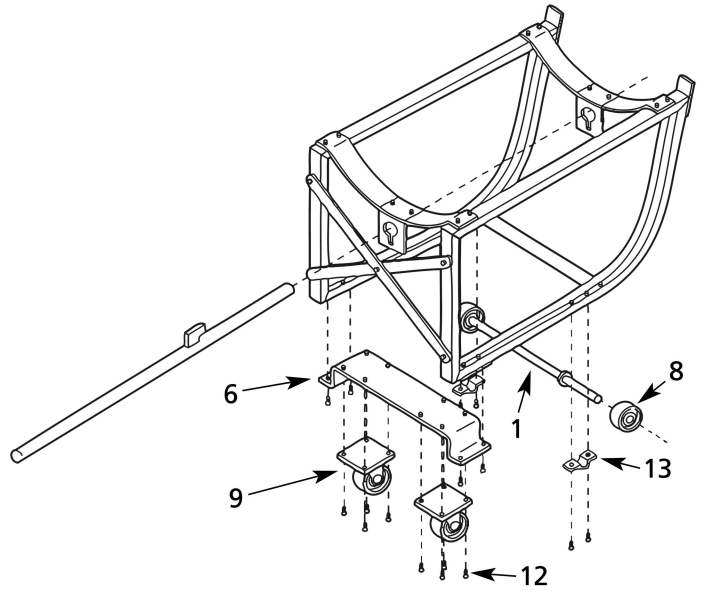


Figure 5 – Wheel Assembly for 31226

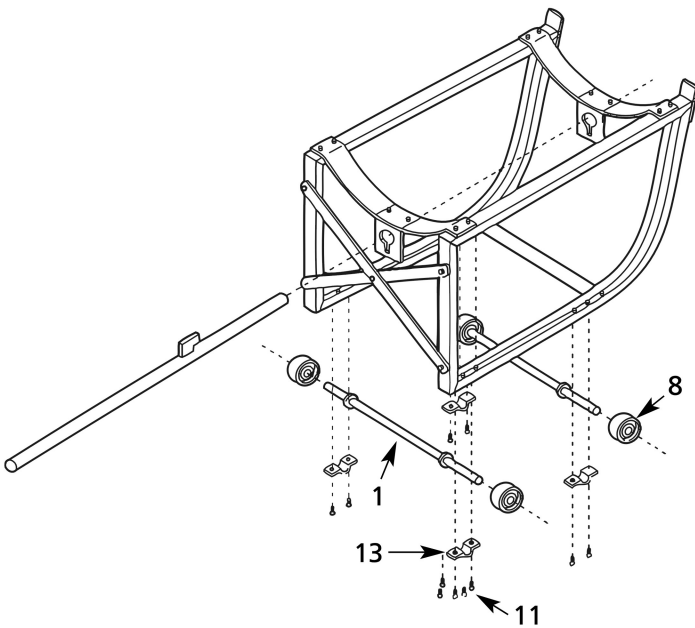


Figure 4 – Wheel Assembly for 1GC91G

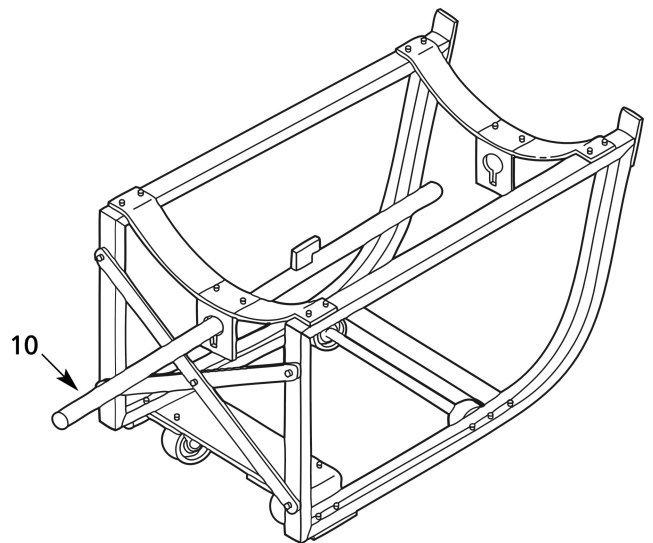


Figure 6 – Handle Storage for 1GC91G and 31226

Models 1GC91G and 31226

Repair Parts List for Drum Cradles

Reference Number	Description	Part Number for Models:		Quantity	
		1GC91G	31226	1GC91G	31226
1	Axle 18½"	MHAX001G	MHAX001G	2	1
2	Drum Sling	MHDS001G	MHDS001G	2	2
3	Side Frame	MHSF001G	MHSF001G	2	2
4	Bottom Cross Bar	MHBCB001G	MHBCB001G	1	1
5	Cross Bar A	MHCB001AG	MHCB001AG	2	2
6	Swivel Caster Bracket	MHSCBK001G	MHSCBK001G	0	1
7	Handle Bracket	MHHB002G	MHHB002G	2	2
8	3" Polyolefin Wheel	MHPW3G	MHPW3G	4	2
9	3" Swivel Caster	MHSC3G	MHSC3G	0	2
10	Handle & Hook	MHH001G	MHH001G	1	1
11	Bagged Hardware	MHBH002G	MHBH002G	1	0
12	Bagged Hardware	MHBH004G	MHBH004G	0	1
13	Axle Clamps	MHAXC001G	MHAXC001G	4	2